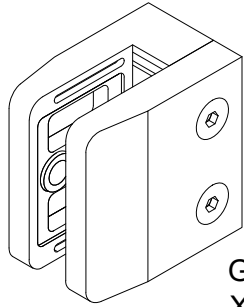


# INSTRUCTIONS

## LARGE SQUARE GLASS CLIPS

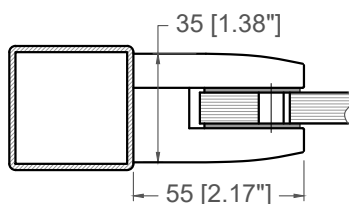
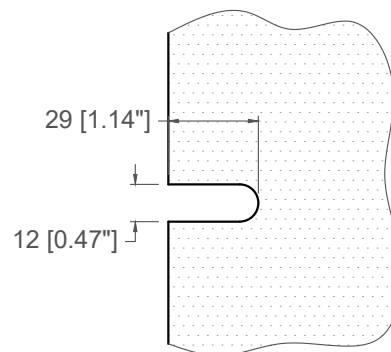
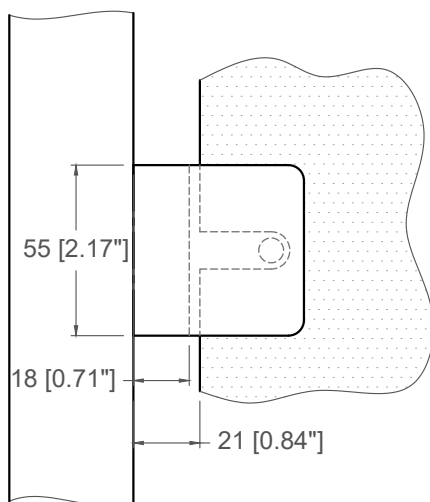
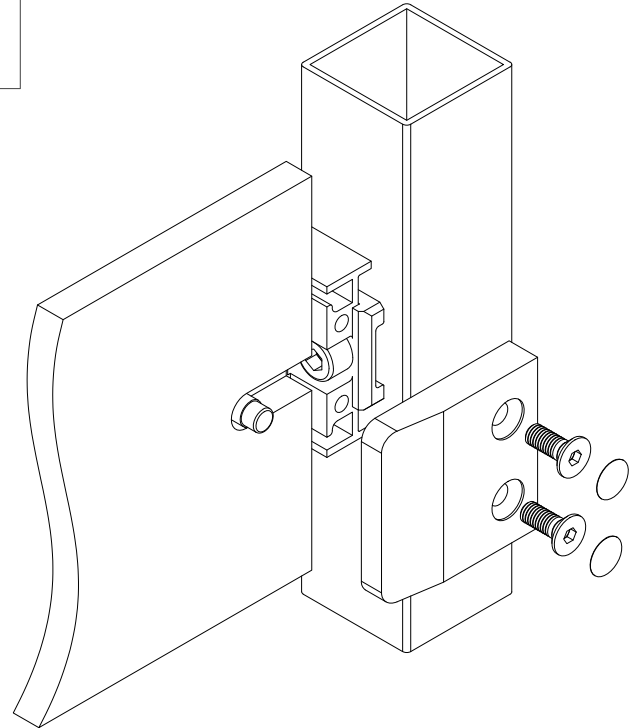
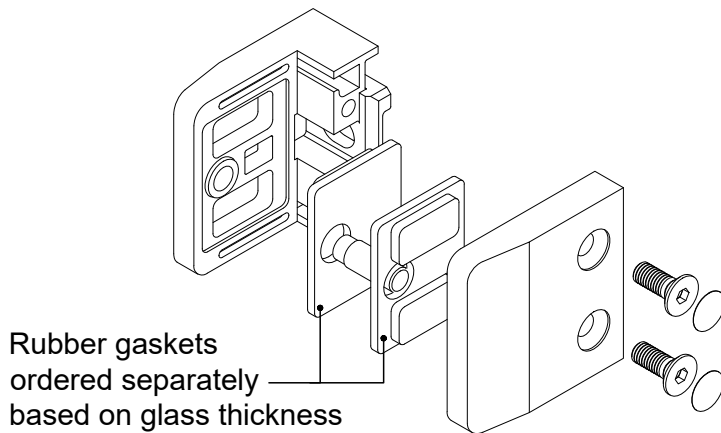
Following items are included in the box:



Glass Clip  
X 4

Plastic Cap  
X 8

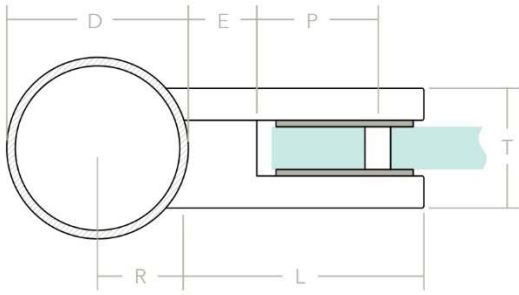
Safety Pin  
X 4



### GENERAL NOTES:

- Safety pins must be installed to prevent glass sliding over time.
- Hex socket machine screws M8x20 used to secure the glass clip to the posts through flow drilled/M8 tapped holes.
- Sizes are in mm [inch].

## GLASS CLIPS REFERENCE CHART

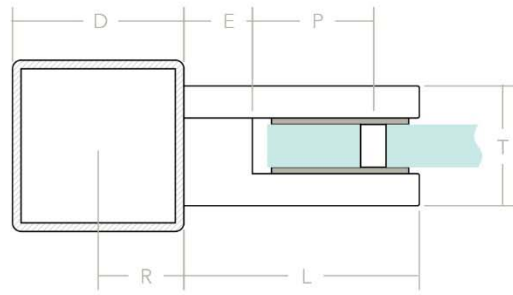


### ROUND GLASS CLIPS

PART#	D mm inches	L mm inches	R mm inches	P mm inches	E mm inches	T mm inches
<b>SSGC101XX16S</b>	Flat	50	-	21.5	16	27
	See Note	1.97	-	0.85	0.63	1.06
<b>SSGC106XX16S</b>	38.1	50	19.05	21.5	16	27
	1.50	1.97	0.75	0.85	0.63	1.06
<b>SSGC103XX16S</b>	42.4	50	21.2	21.5	16	27
	1.67	1.97	0.83	0.85	0.63	1.06
<b>SSGC201XX16S</b> <b>SSGC201XXZMS</b>	Flat	63	-	30.5	17.5	30
	See Note	2.48	-	1.20	0.69	1.18
<b>SSGC206XX16S</b> <b>SSGC206XXZMS</b>	38.1	63	19.05	30.5	17.5	30
	1.50	2.48	0.75	1.20	0.69	1.18
<b>SSGC203XX16S</b> <b>SSGC203XXZMS</b>	42.4	63	21.2	30.5	17.5	30
	1.67	2.48	0.83	1.20	0.69	1.18
<b>SSGC207XX16S</b> <b>SSGC207XXZMS</b>	50.8	63	25.4	30.5	17.5	30
	2.00	2.48	1.00	1.20	0.69	1.18

#### LEGEND

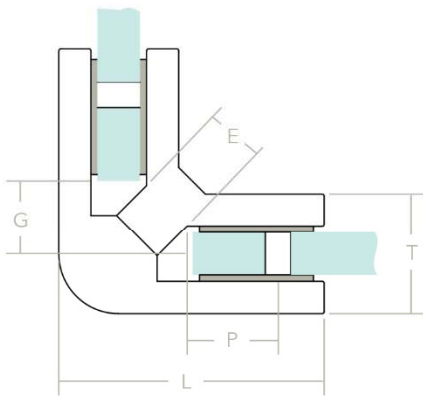
- D:** Tube size
- L:** Length of glass clip
- R:** Back of clip to the center of post
- P:** Center of pin to internal edge of glass clip



### SQUARE GLASS CLIPS

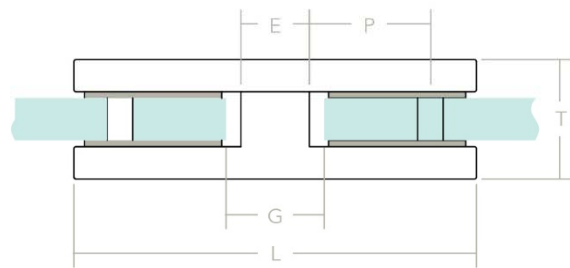
PART#	D mm inches	L mm inches	R mm inches	P mm inches	E mm inches	T mm inches
<b>SSGC301XX16S</b> <b>SSGC301XXZMB</b>	Flat	45	-	17	18	26
	See Note	1.77	-	0.67	0.71	1.02
<b>SSGC306XX16S</b>	38.1	45	19.05	17	18	26
	1.50	1.77	0.75	0.67	0.71	1.02
<b>SSGC303XX16S</b>	42.4	45	21.2	17	18	26
	1.67	1.77	0.83	0.67	0.71	1.02
<b>SSGC431XX16S</b> <b>SSGC431XXZMS</b> <b>SSGC431XXZMB</b> <b>SSGC431XXZMW</b>	Flat	55	-	26.5	18	35
	See Note	2.17	-	1.04	0.71	1.38
<b>SSGC411XX16S</b> <b>SSGC411XXZMS</b> <b>SSGC411XXZMB</b>	42.4	55	21.2	26.5	18	35
	1.67	2.17	0.83	1.04	0.71	1.38
<b>SSGC437XX16S</b> <b>SSGC417XX16S</b>	50.8	55	25.4	26.5	18	35
	2.00	2.17	1.00	1.04	0.71	1.38
<b>SSGC441XX16S</b>	Flat	55	-	26.5	18	40
	See Note	2.17	-	1.04	0.71	1.57
<b>SSGC451XX16S</b>	Flat	55	-	26.5	18	44
	See Note	2.17	-	1.04	0.71	1.73

**NOTE:** Flat Glass Clips are installed on a wall or different sizes of square tubing (e.g., 40 x 40mm, 2" x 2").  
For installation on square tubing, D = Tube Size and R = D/2.



### 90°

PART#	L mm inches	P mm inches	E mm inches	G mm inches	T mm inches
<b>SSGC014XX16S</b>	82	33	15.5	15	30
	3.23	1.30	0.61	0.59	1.18



### 180°

PART#	L mm inches	P mm inches	E mm inches	G mm inches	T mm inches
<b>SSGC015XX16S</b>	106	30	14	19	30
	4.17	1.18	0.55	0.75	1.18

#### LEGEND

- L:** Length of glass clip
- P:** Center of pin to internal edge of glass clip
- E:** Internal edge to edge distance
- G:** Glass to glass gap