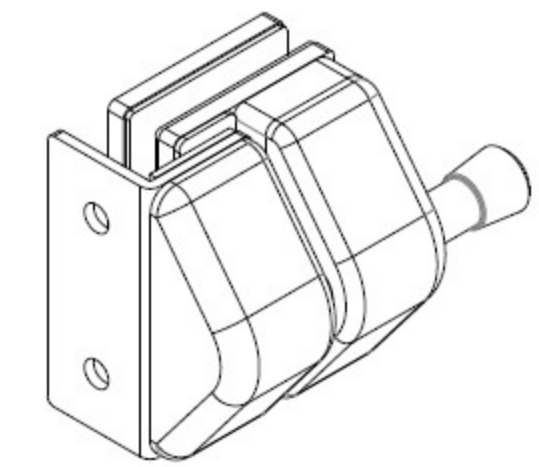
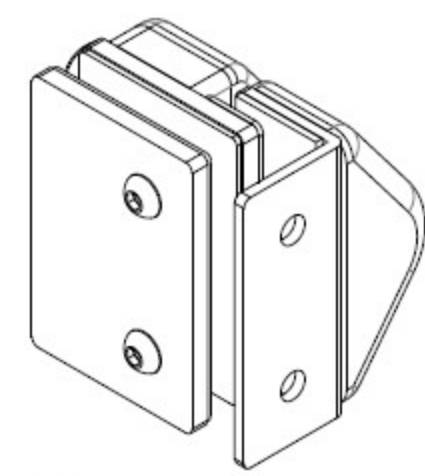
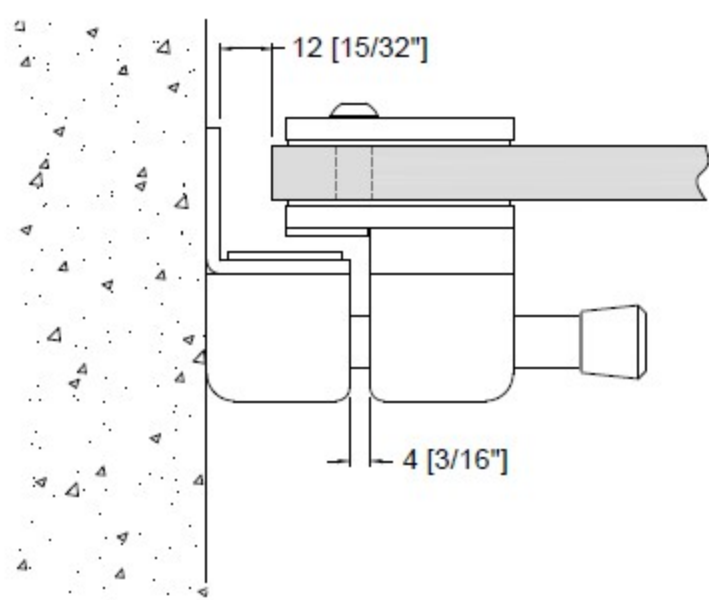
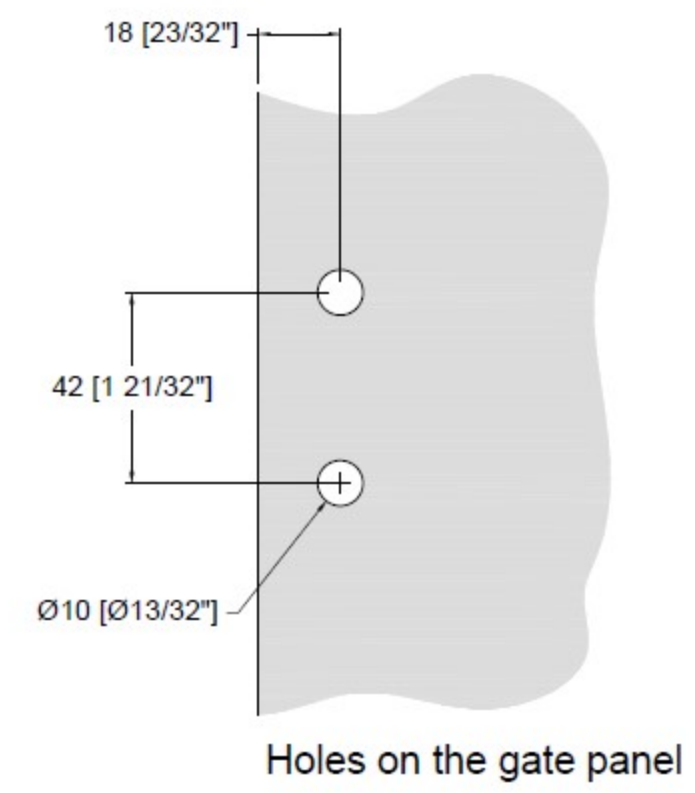
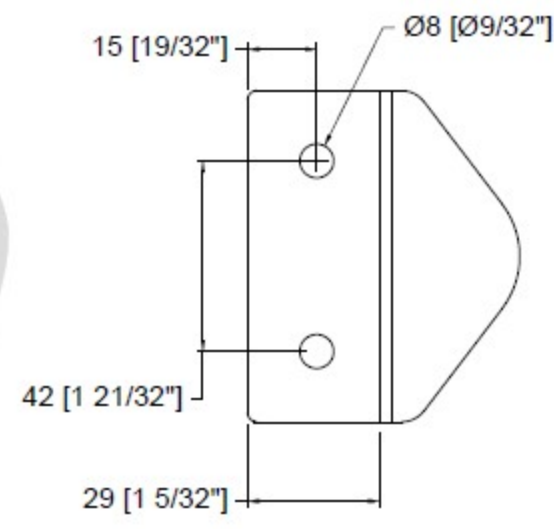
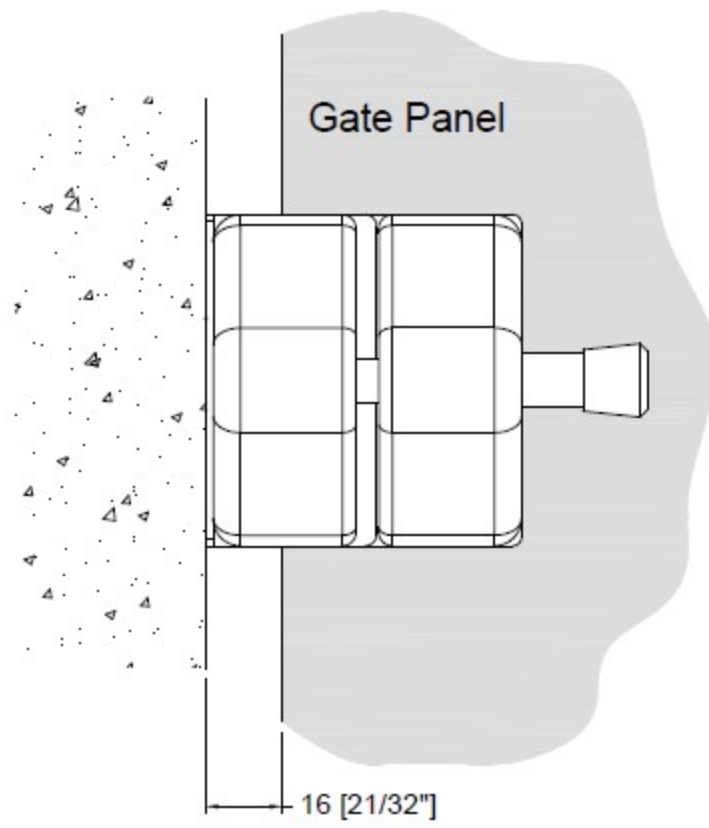
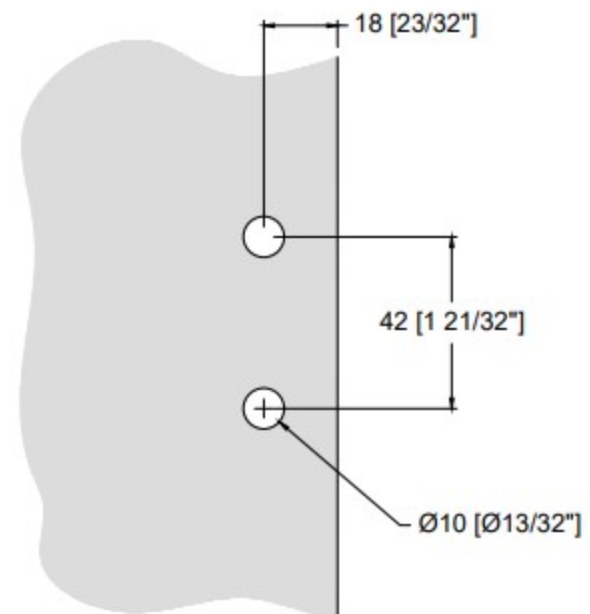
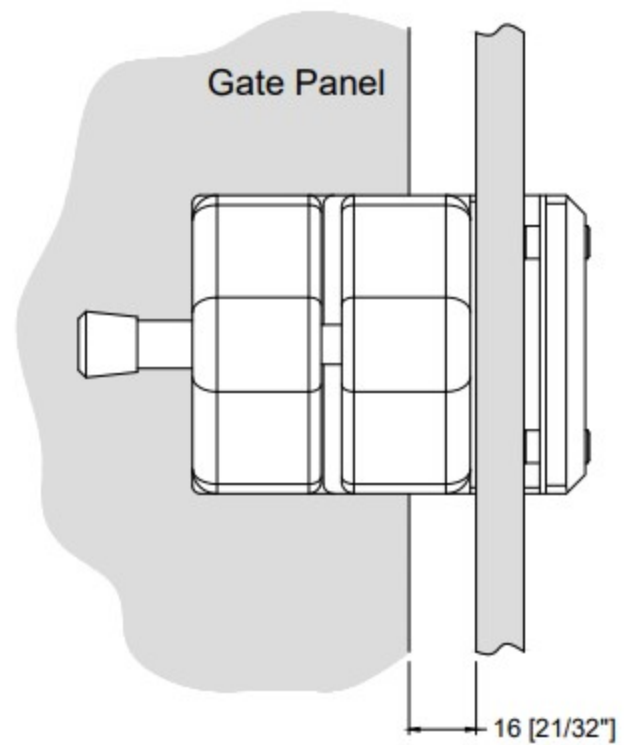


Holes needed on the gate panel only

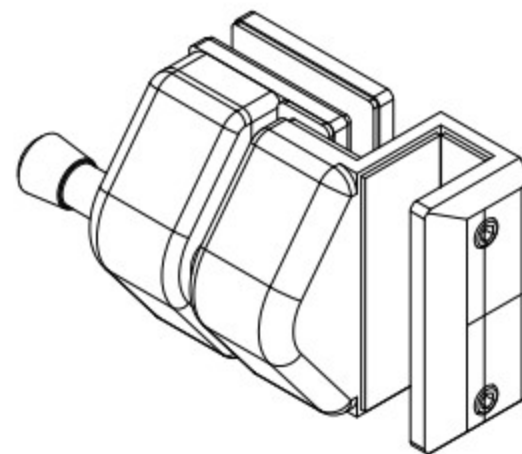
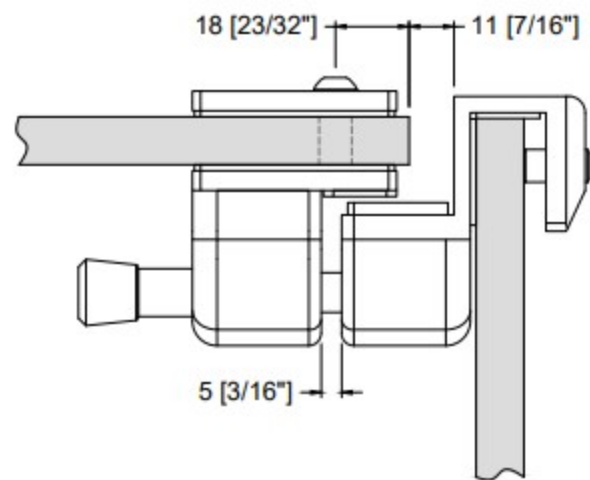
All sizes are in mm [inch].



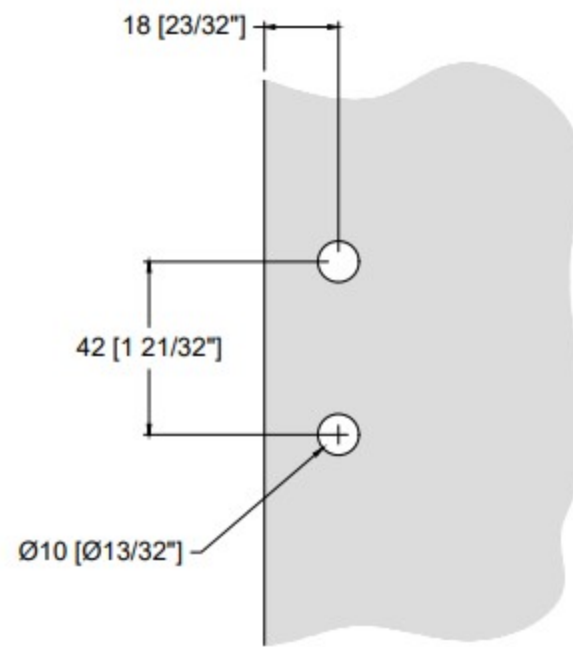
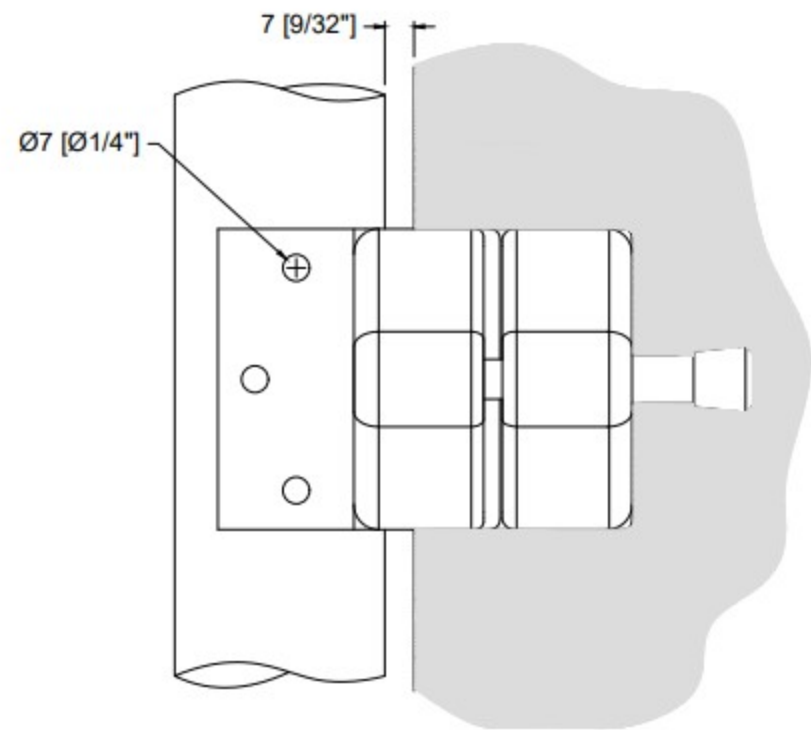
All sizes are in mm [inch].



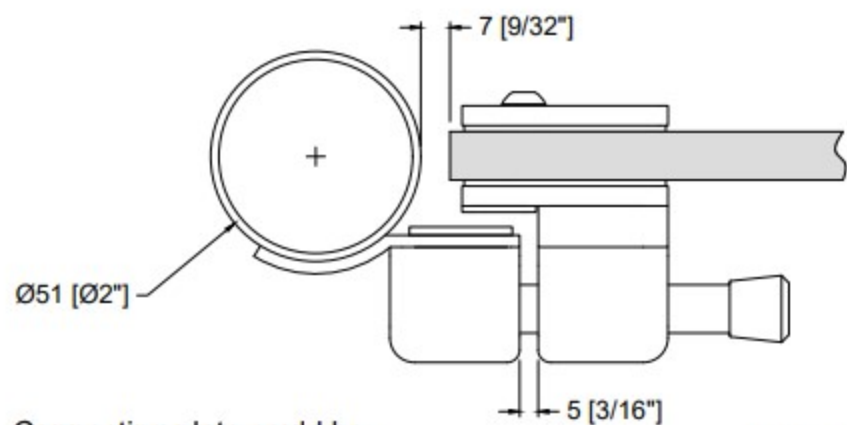
Holes needed on the gate panel only



All sizes are in mm [inch].



Holes on the gate panel



Connecting plate could be formed to suit Ø42.4 mm

All sizes are in mm [inch].