

LumaRail™

LED HANDRAIL SYSTEM



Add safety and beauty inside your home.

- **LumaRail™** combines our Hardware Kit and Electrical Kit for 4877mm (16 ft.) of LED lighting for your choice of handrail.
- Hardware is SS316 material, and is available in Satin (S) and Graphite Black (GB) finishes.
- Electrical Kit is certified for indoor applications only.
- All items can be purchased separately to accommodate desired length of handrail.

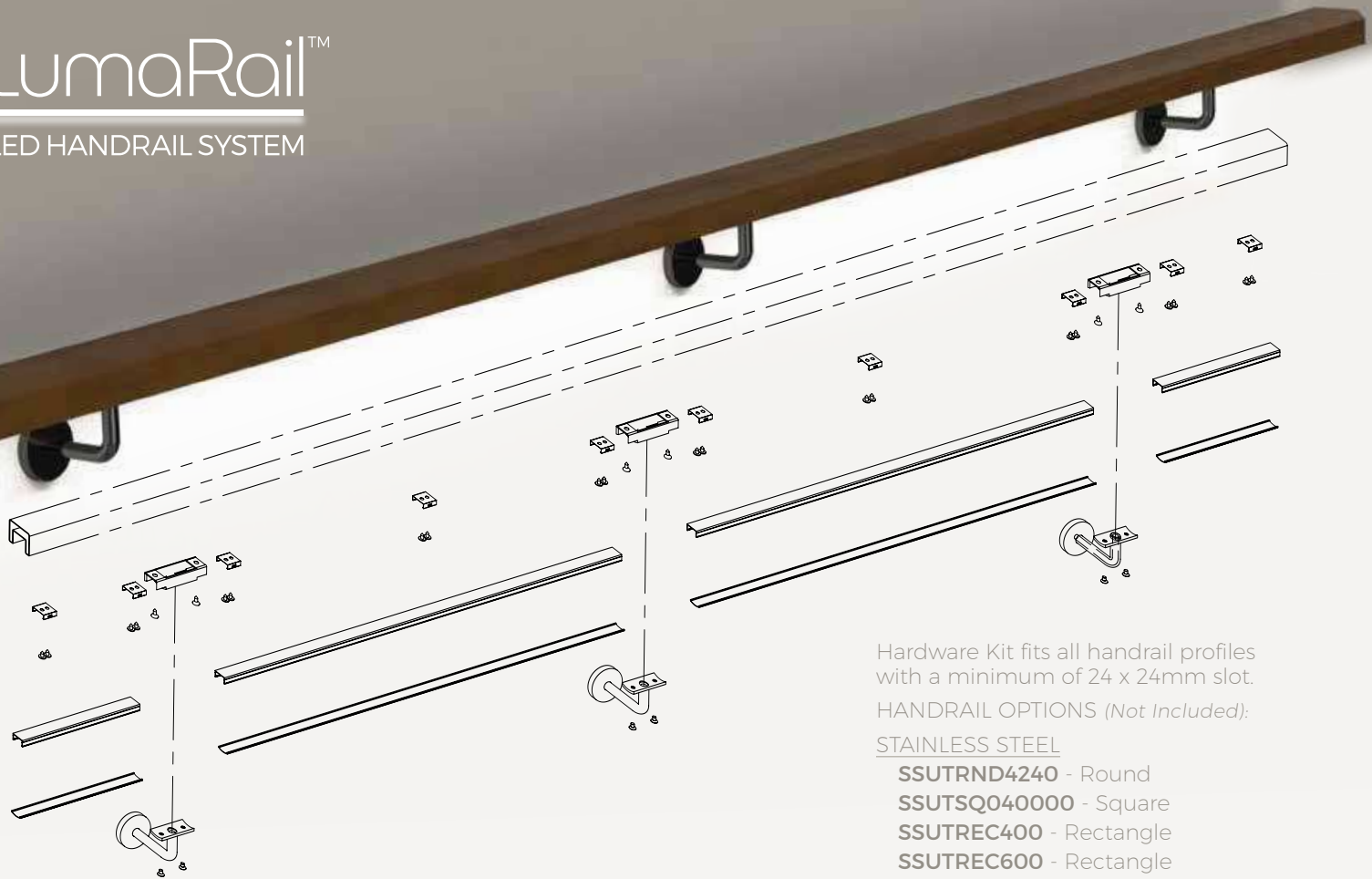
Consult an electrician before installing.

Visit our site for more details.



LumaRail™

LED HANDRAIL SYSTEM



Hardware Kit fits all handrail profiles with a minimum of 24 x 24mm slot.

HANDRAIL OPTIONS (Not Included):

STAINLESS STEEL

SSUTRND4240 - Round

SSUTSQ040000 - Square

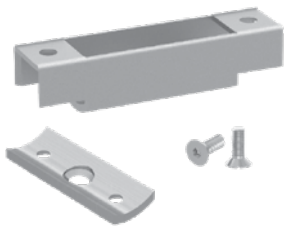
SSUTREC400 - Rectangle

SSUTREC600 - Rectangle

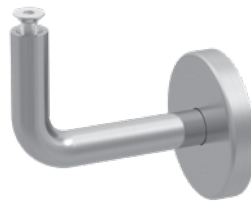
WOOD (Oak)

WH4134324GO - Rectangle

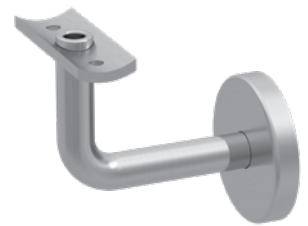
HARDWARE KIT (SSL1KIT) Available in Satin (S) and Graphite Black (GB)



(x6) Adaptor
SSL1WB101



(x4) Solid Wall Bracket 3" x 2"
SSWB111416



(x2) Wiring Wall Bracket 3" x 2"
SSL1WB100

Can be installed closer to available power supplies.

ELECTRICAL KIT (SSL2KITELEC) Supplies 16 ft. of lighting



(x1) LED Strip
4200 K
SSL2LED1



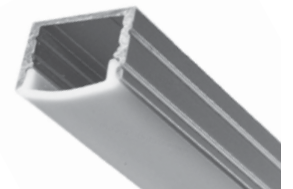
(x1) 24V Power Supply
(Dimmable)
SSL2LED2



(x1) LED Cable
Connector Kit
SSL2LED3

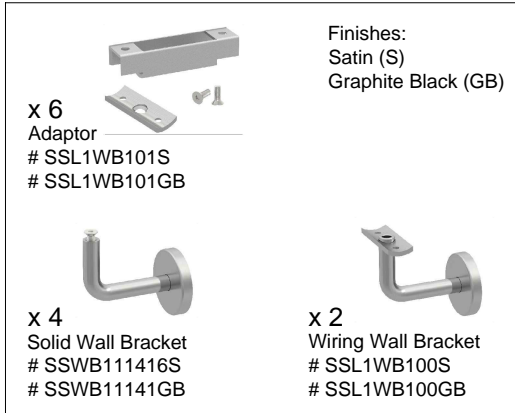


(x4) Mounting Clips with screws
(5 Packs)
SSL2LED4

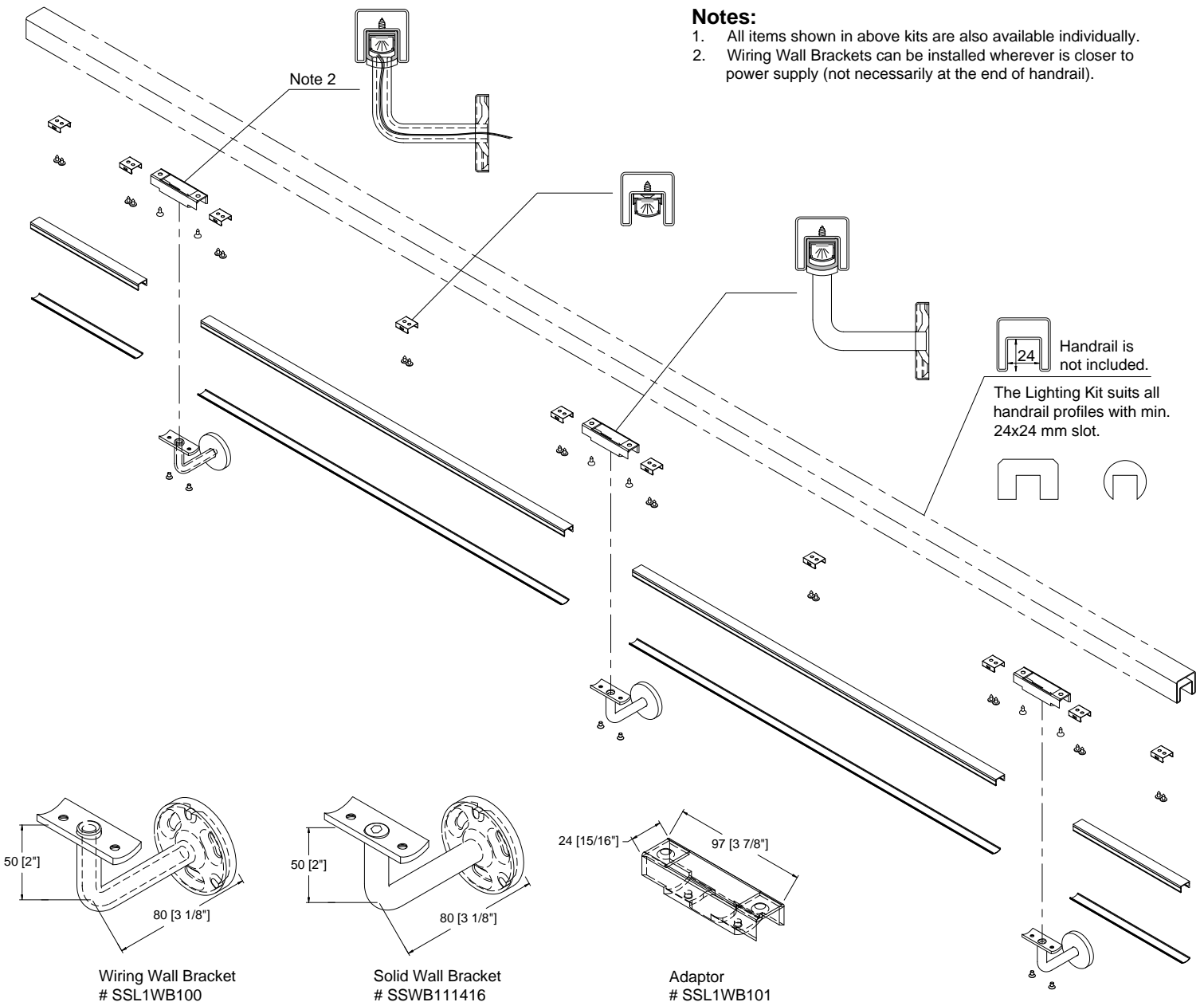


(x2) LED Enclosure
(8 ft.)
SSL2LED5

Hardware Kit
SSL1KITS
SSL1KITGB



Electrical Kit
SSL2KITELEC
Supplies 4877 mm [16 ft.] of lighting.

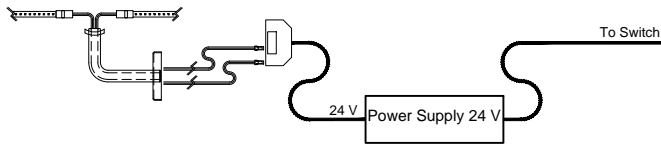


INSTRUCTIONS

Handrail Lighting System

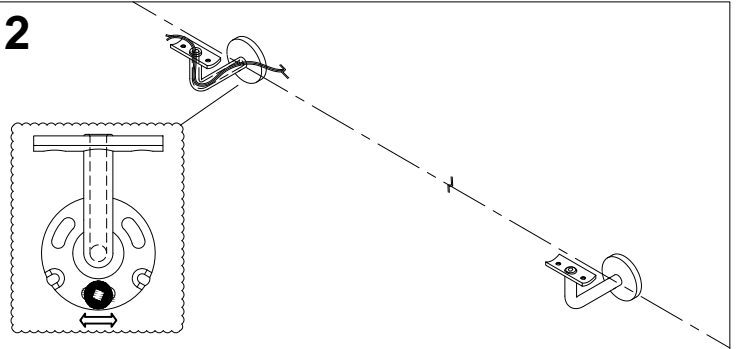
Includes all hardware for total length of 4877 mm [16 ft.]

1



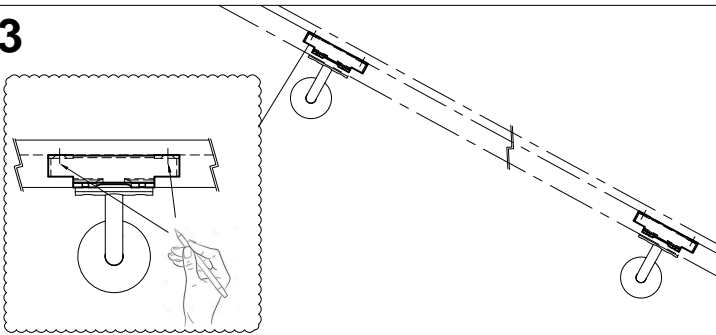
Follow instructions provided with LED Strip, LED Cable Connector Kit, and Power Supply to lay out wiring from electrical switch to the point where Wiring Wall Bracket is installed.

2



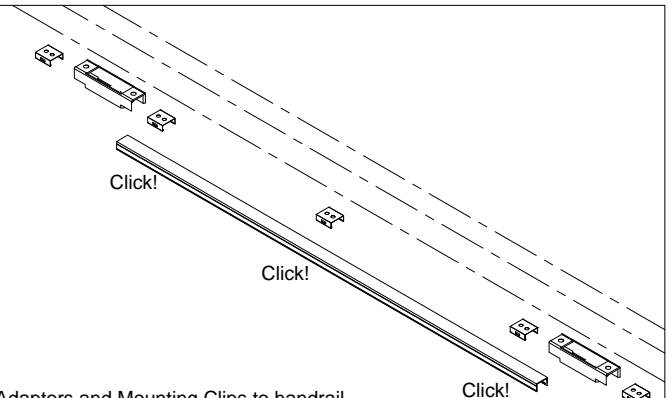
Pass LED Cable through Wiring Wall Bracket(s). Install all Wall Brackets using only one screw at the bottom to allow adjustment at final stage.

3



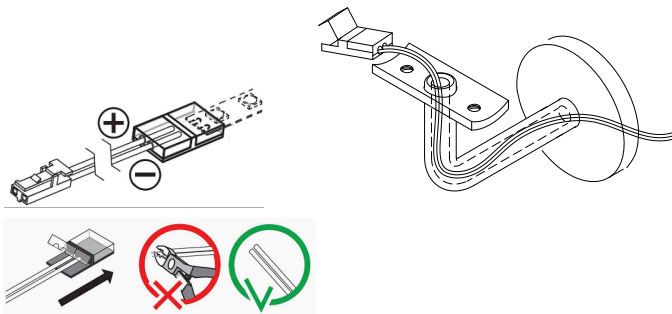
Put Adaptors and handrail on the Wall Brackets to position Adaptors and mark holes on handrail to connect Adaptors.

4



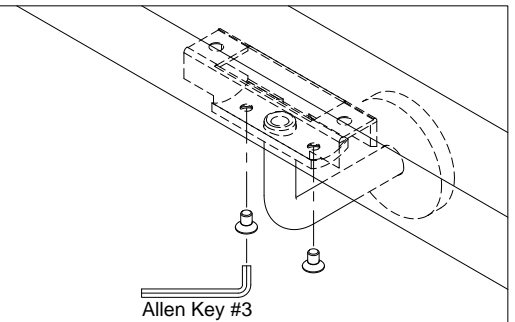
Attach Adaptors and Mounting Clips to handrail. Then, install the LED Enclosure channel.

5



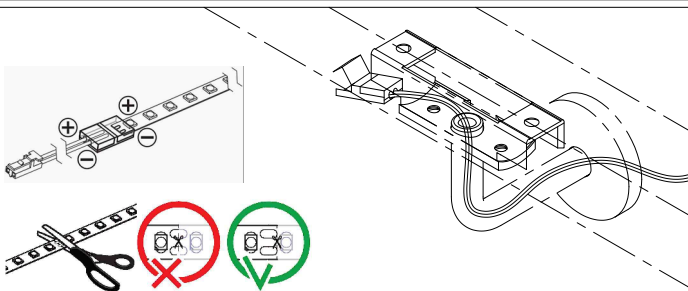
Attache LED Clips to the LED Cable (white cable) coming through the Wiring Wall Bracket.

6



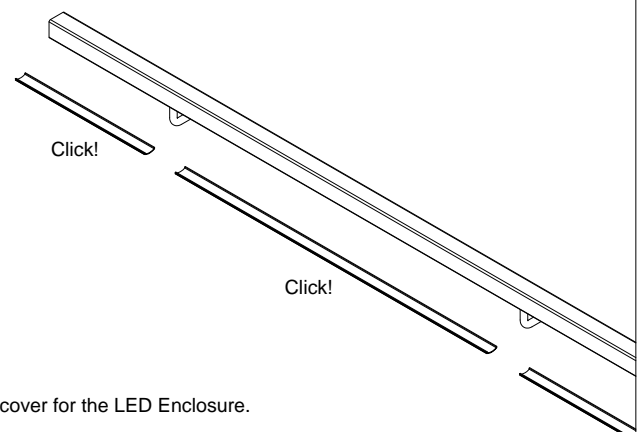
Install handrail on Wall Brackets and tighten the screws on the handrail attachment plates connecting to Adaptors and then fully secure Wall Brackets.

7



Follow instructions provided with LED Strip and LED Cable Connector Kit to attach the LED Clips. Stick the LED Strip into the LED Enclosure channel using adhesive tape attached to back of the LED Strip.

8



Attach the cover for the LED Enclosure.