

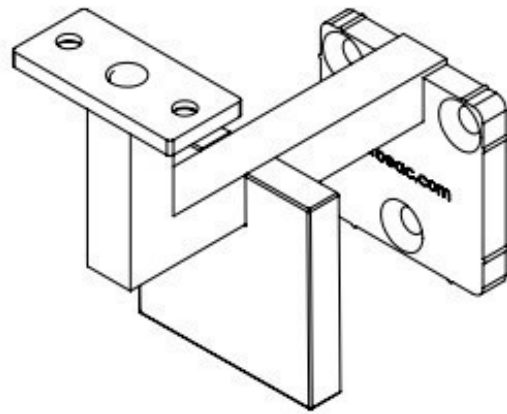
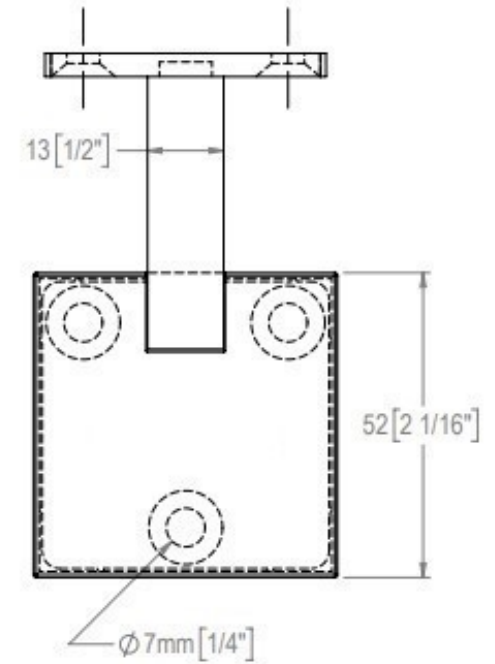
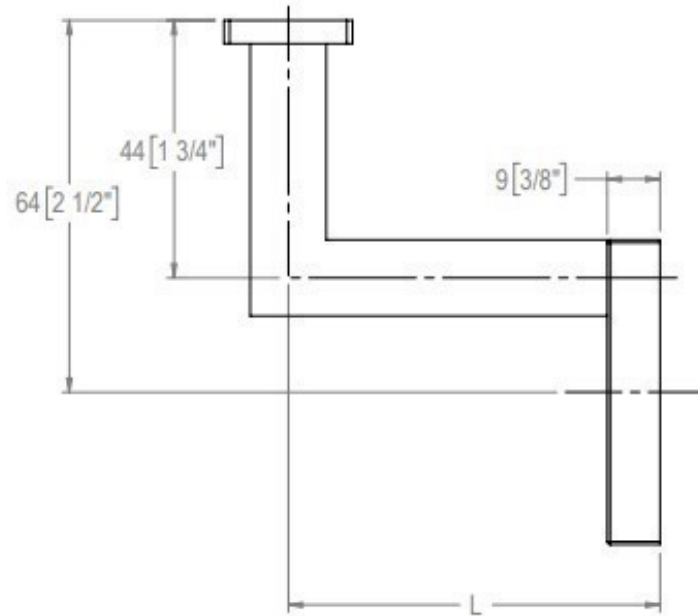
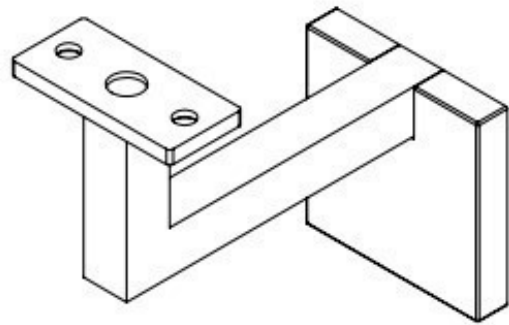
3-Hole Plate

Holes are concealed by the plate cover



LLSSWB111216S
LLSSWB111216GB





Back plate with 3 holes concealed by snap-fit plate cover.
"Design Patent Pending"

PRODUCT CODE	LENGTH (L)	MATERIAL
LLSSZH21216	64 [2 1/2"]	SS316
LLSSZH31216	89 [3 1/2"]	
LLPBRRC212SQ	64 [2 1/2"]	Zinc
LLPBRRC312SQ	89 [3 1/2"]	