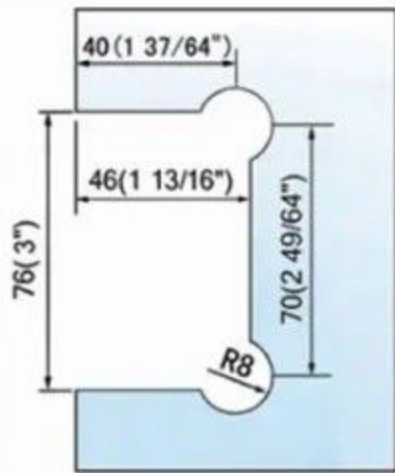
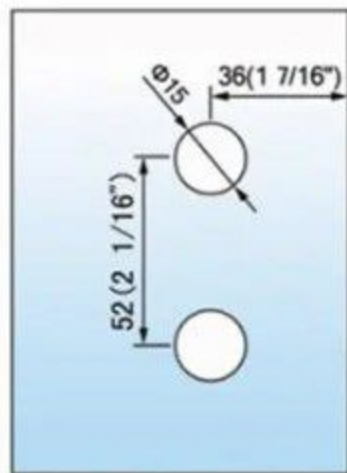
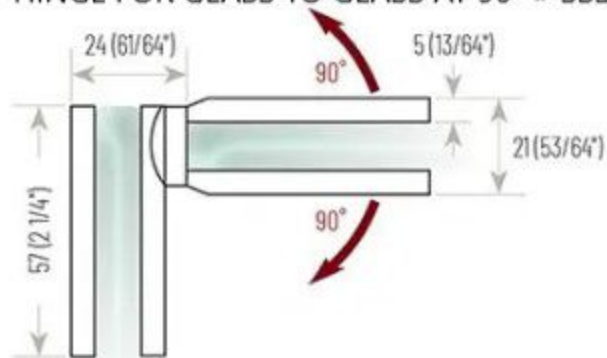
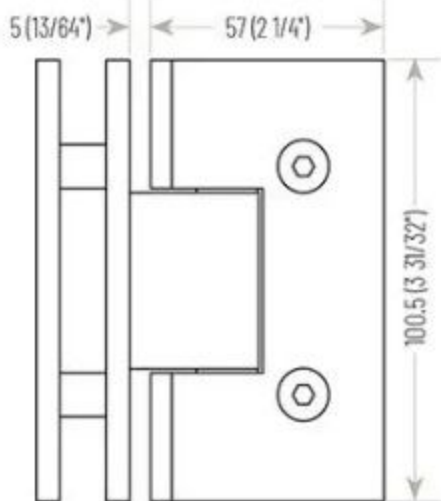
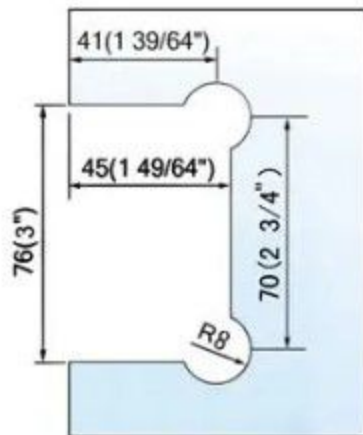
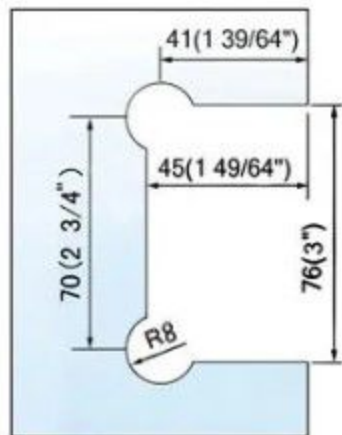
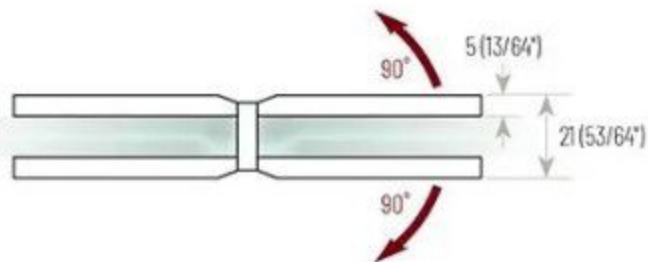
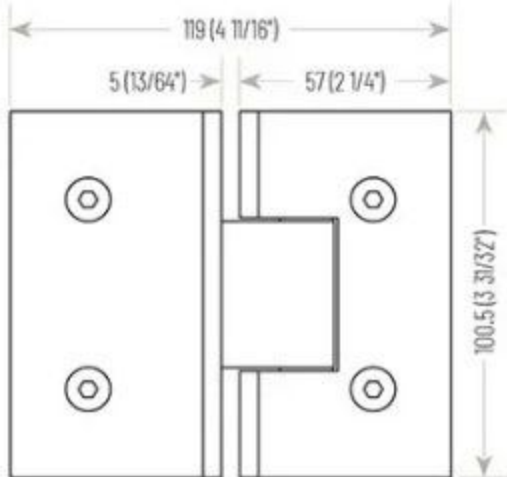


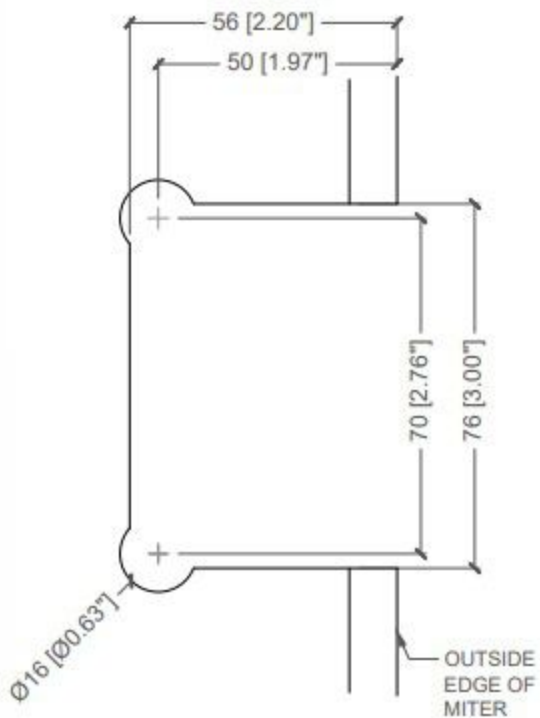
HEAVY DUTY HINGE FOR GLASS TO GLASS AT 90° # SSSFH90L



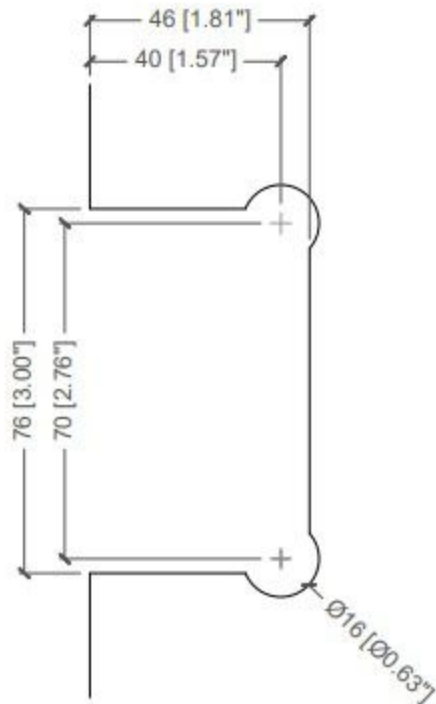
HEAVY DUTY HINGE FOR GLASS TO GLASS AT 180° # LLSSSFH180L



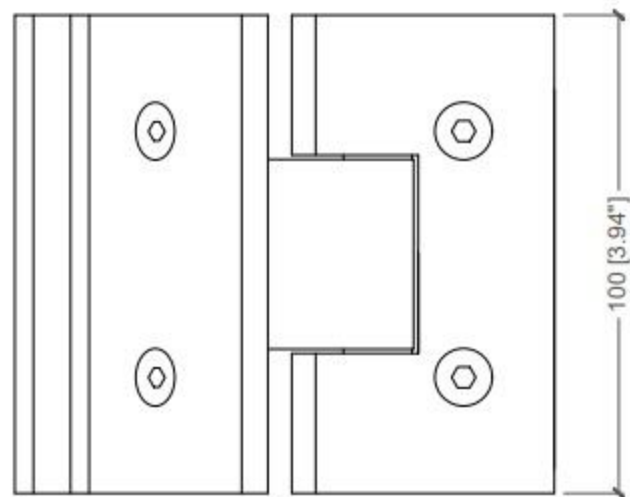
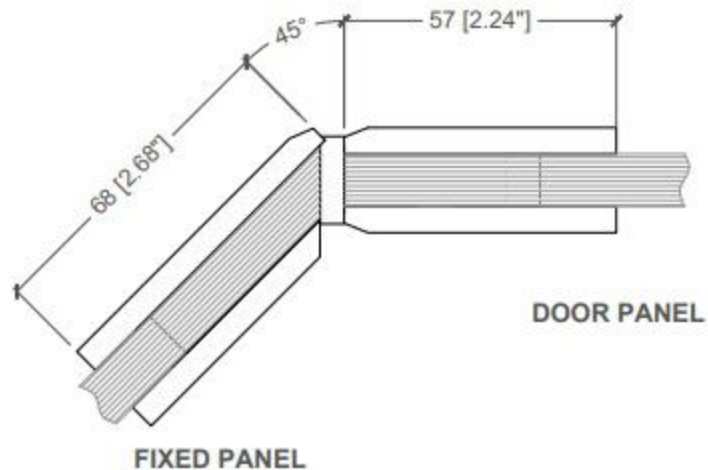
HEAVY DUTY HINGE FOR GLASS TO GLASS AT 135° #
LLSSSFH135L




FIXED PANEL
CUT-OUT

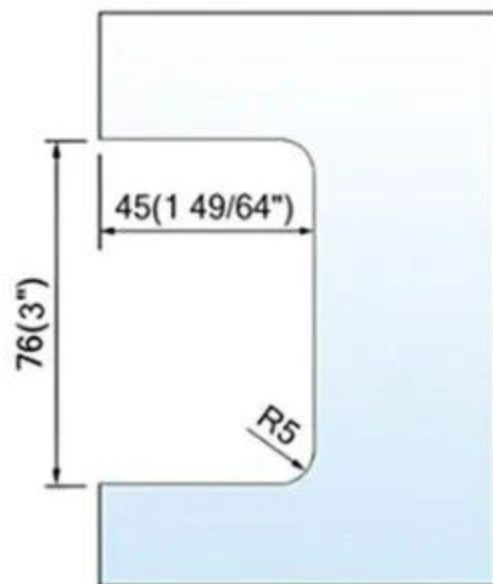
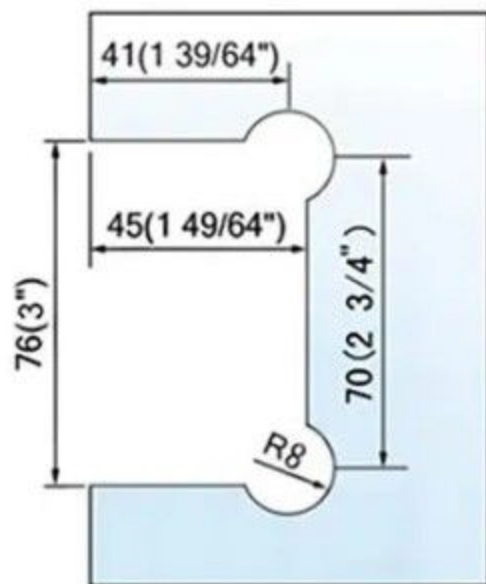
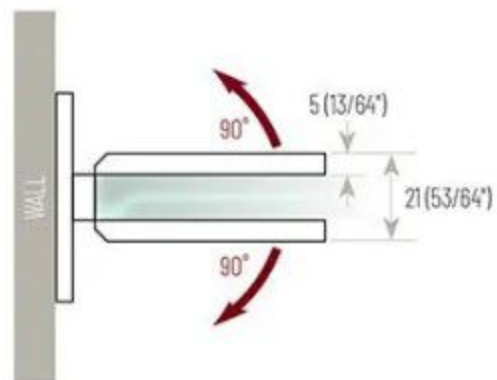
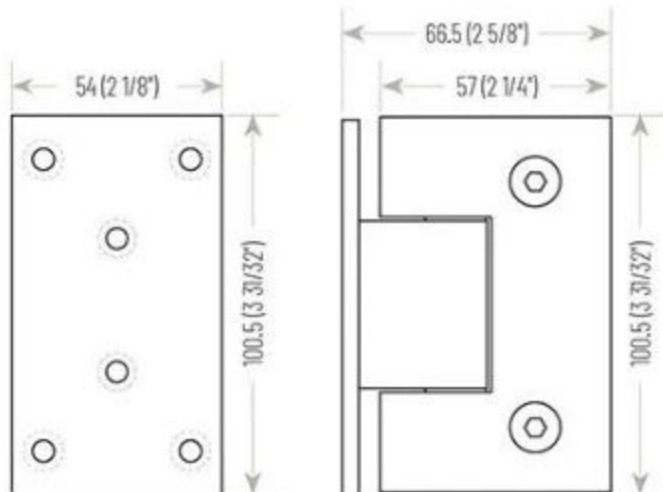


DOOR PANEL
CUT-OUT

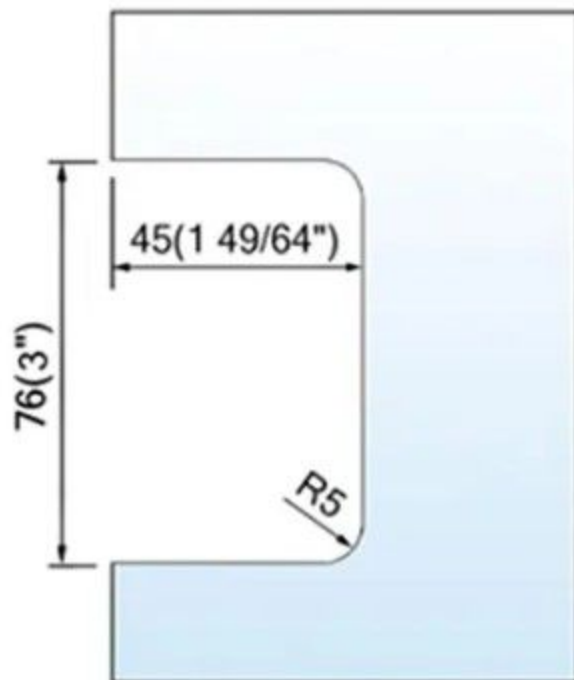
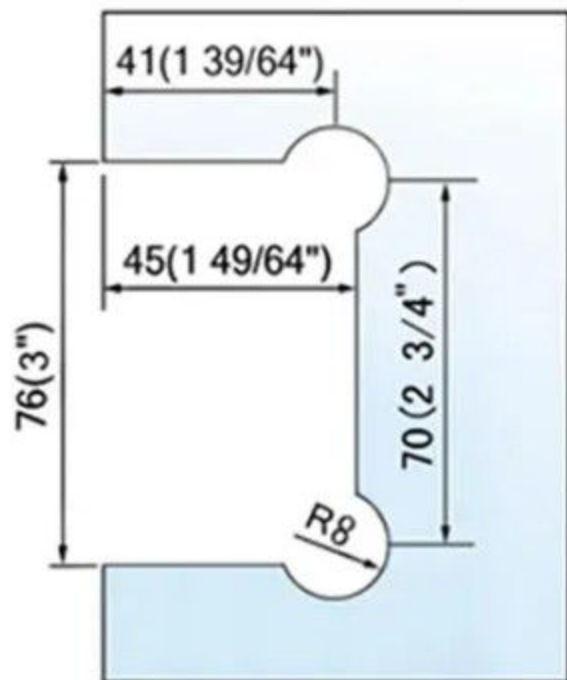
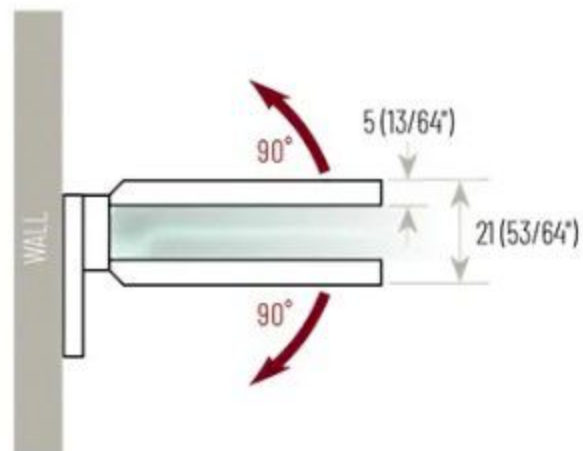
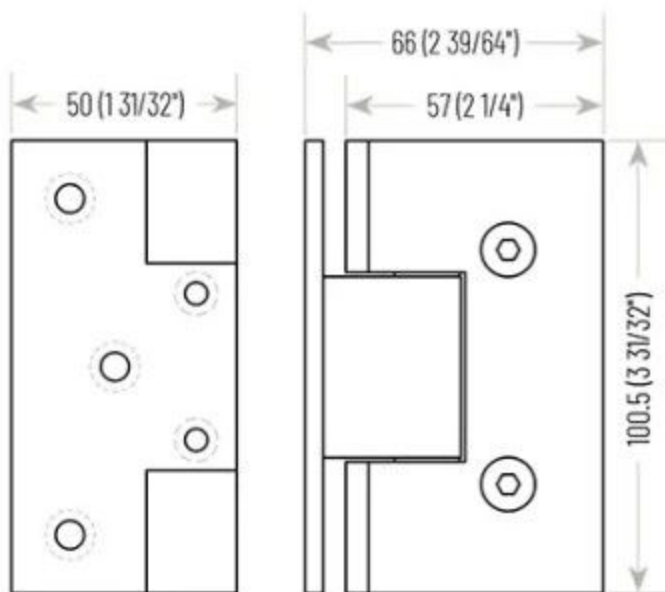


 Philips screws included

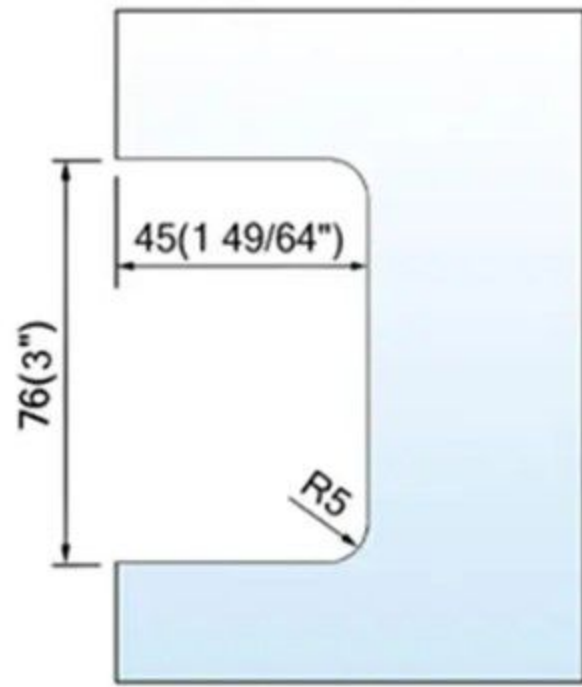
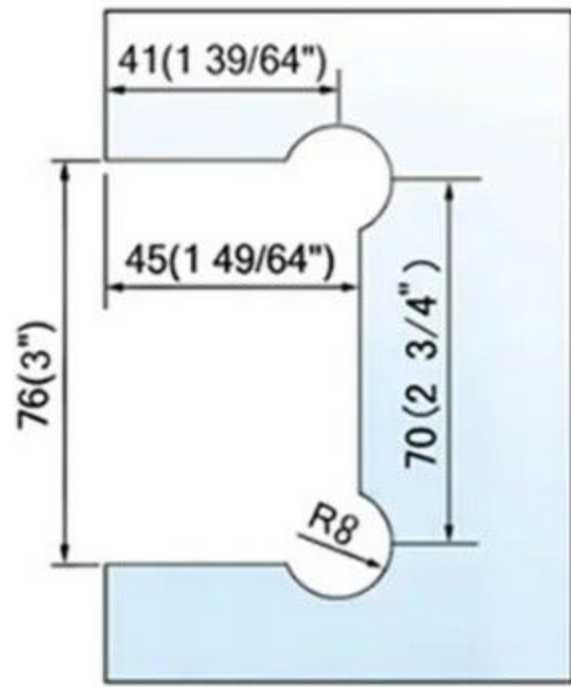
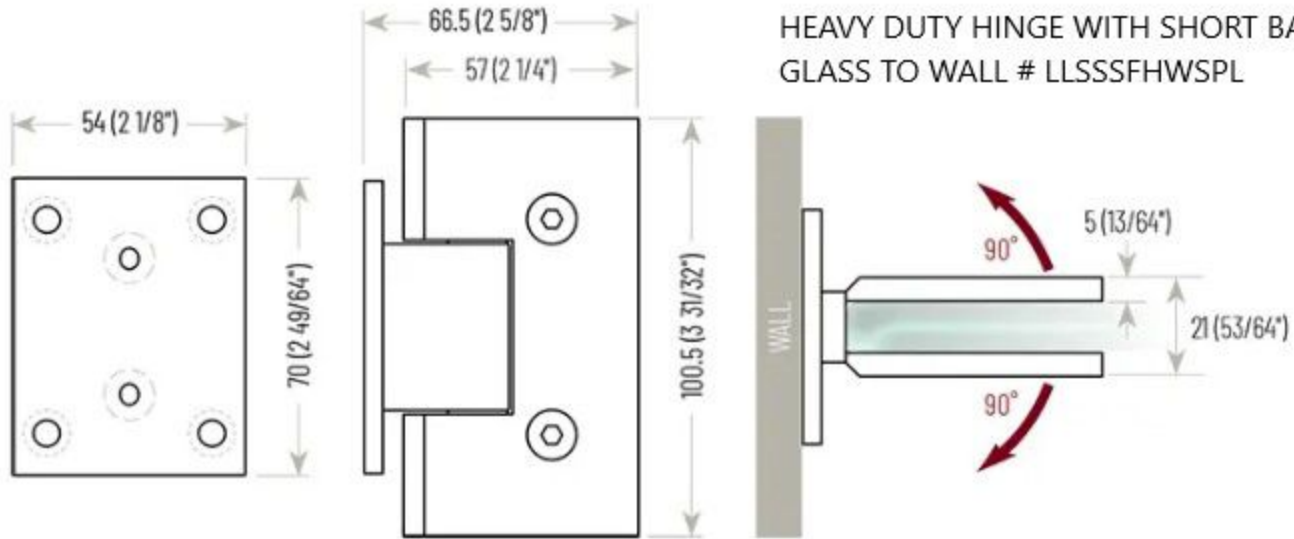
HEAVY DUTY HINGE FOR GLASS TO WALL # LLSSSFHWL



HEAVY DUTY HINGE WITH OFFSET BACK PLATE FOR
GLASS TO WALL # LLSSSFHWOFSL



HEAVY DUTY HINGE WITH SHORT BACK PLATE FOR
GLASS TO WALL # LLSSSFHWSPL



Max Capacity with two and Three Hinges for Shower Doors



Description	Item No.	Two Hinges		Three Hinges	
		Max Capacity	Max Door Width	Max Capacity	Max Door Width
Standard Hinges	SSSFHW	45 kg (99 lb)	28" (711mm)	54 kg (119 lb)	32" (813mm)
	SSSFHWOFS				
	SSSFH180				
	SSSFH135				
	SSSFH90				
	SSSFHWH				
	SSSFHWSP				
	SSSFHCW				
	SSSFHC180				
	SSSFHC135				
	SSSFHC90				
	SSSFHFB180				
	SSSFHTB				
	SFHTBV				
				n/a	n/a
Heavy Duty Hinges	SSSFHWL	50 kg (110 lb)	36" (914mm)	63 kg (139 lb)	36" (914mm)
	SSSFHWOFSL				
	SSSFH180L				
	SSSFH135L				
	SSSFH90L				
	SSSFHWSPL				