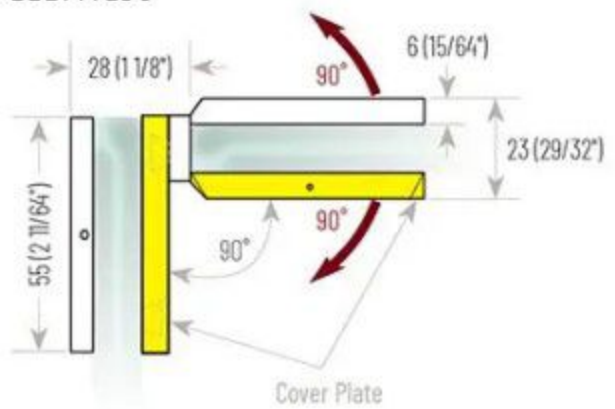
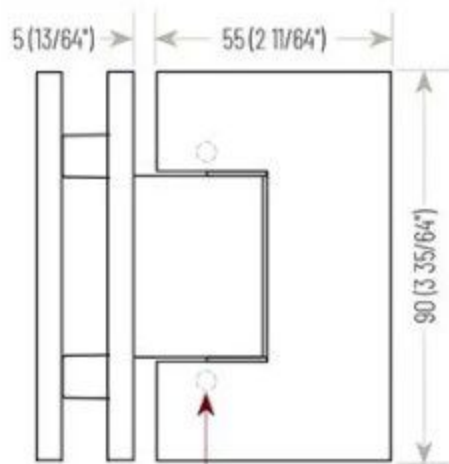
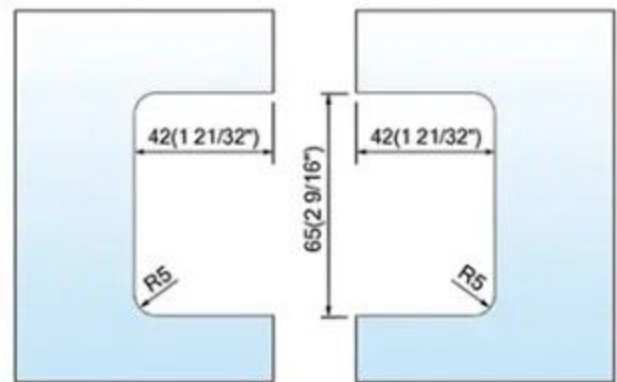
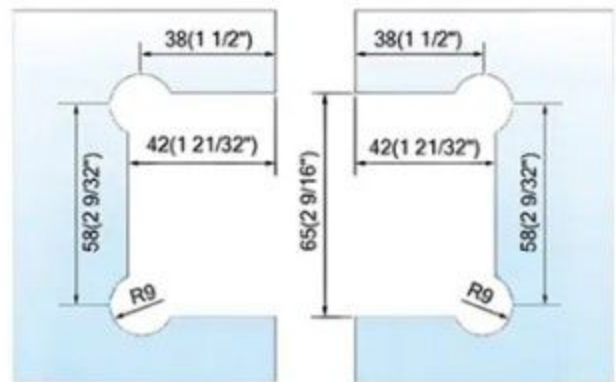


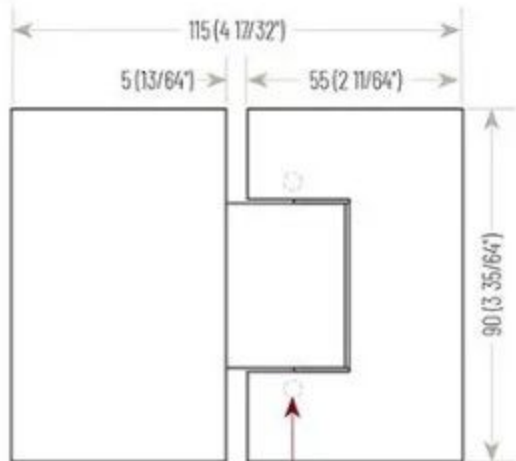
STANDARD ADJUSTABLE HINGE FOR GLASS TO GLASS 90° WITH COVER PLATE - #SSSFHC90



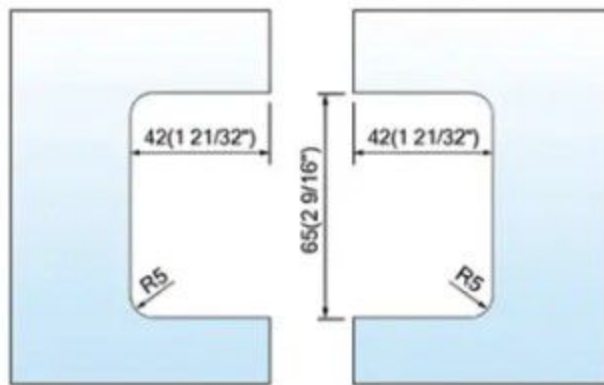
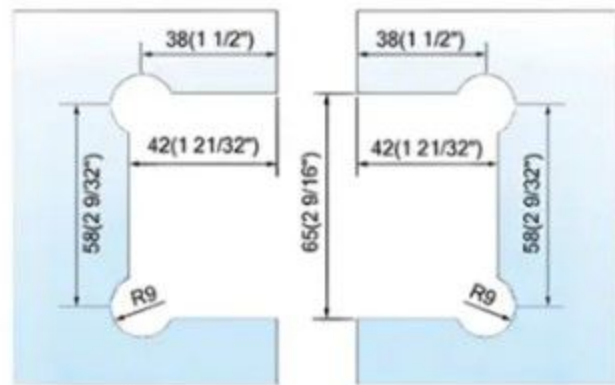
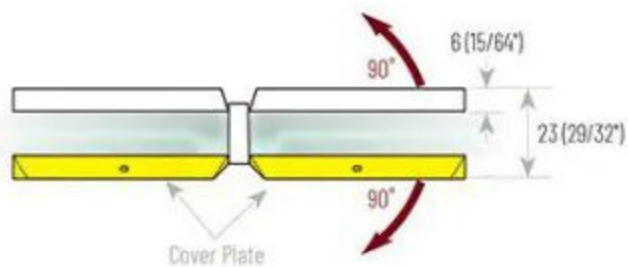
Allen Adjustment Screws Inside



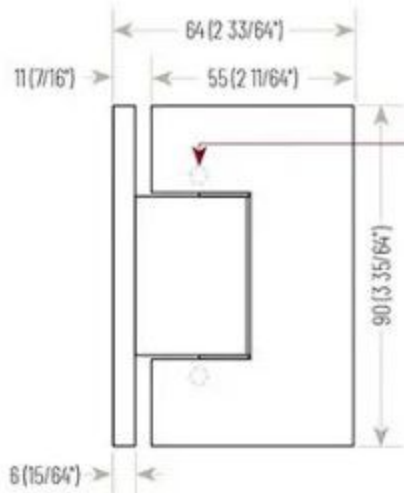
STANDARD ADJUSTABLE HINGE FOR GLASS TO GLASS 180° WITH COVER PLATE - #SSSFHC180



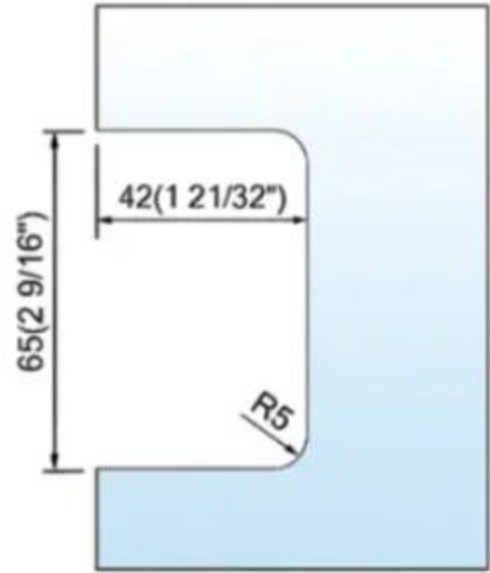
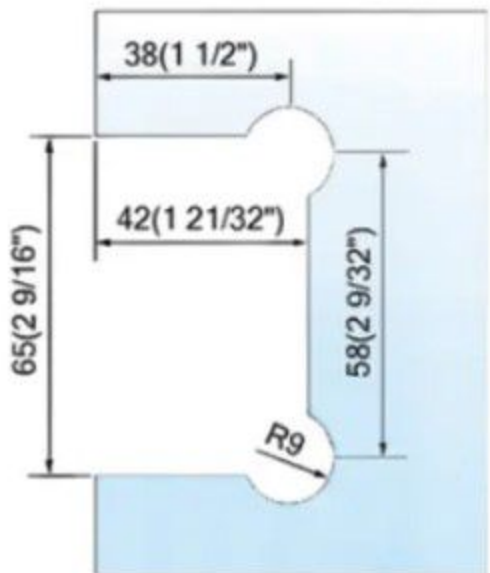
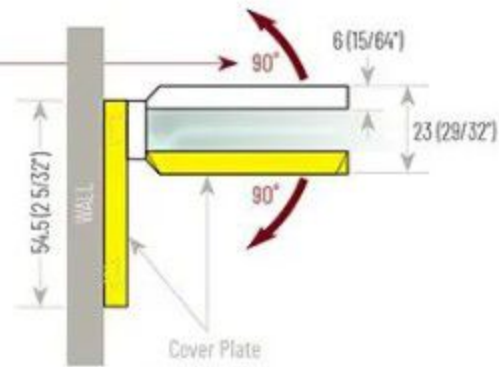
Allen Adjustment Screws Inside



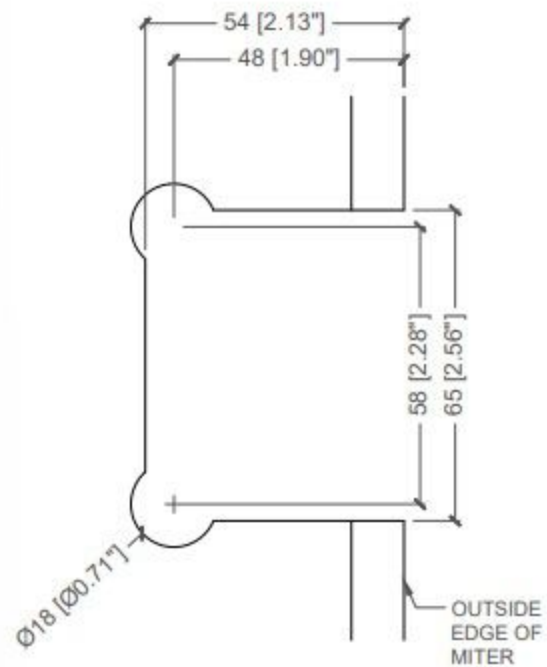
STANDARD ADJUSTABLE HINGE FOR GLASS TO WALL WITH COVER PLATE - #LLSSSFHCW



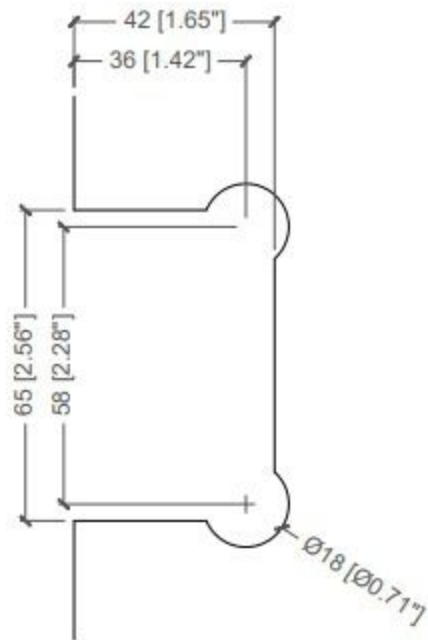
Walls are never perfectly straight. The Allen Adjustment Screws inside allows angling of door with near precision up to $\pm 90^\circ$ without having to remove the door.



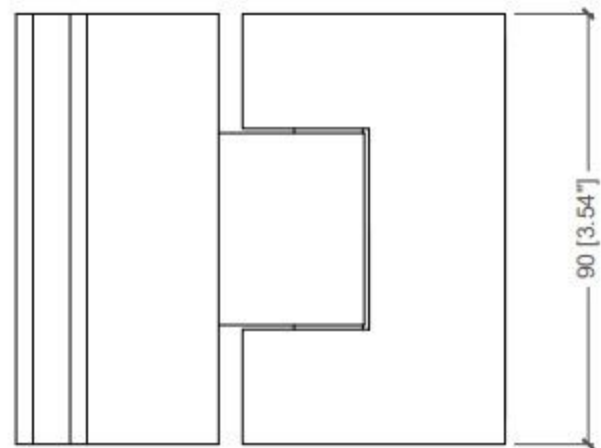
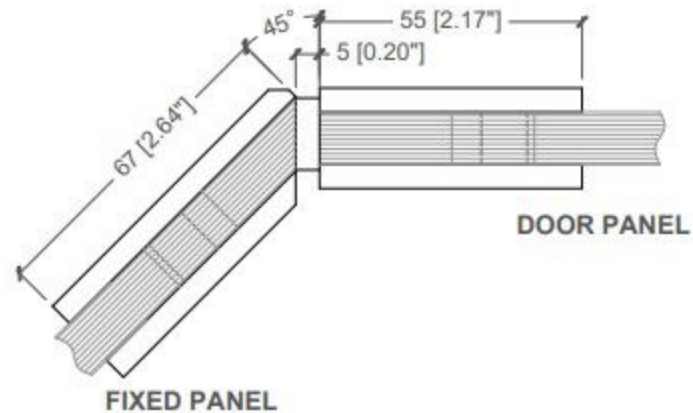
STANDARD ADJUSTABLE HINGE FOR GLASS TO GLASS 135° WITH COVER PLATE - #SSSFHC135



**FIXED PANEL
CUT-OUT**



**DOOR PANEL
CUT-OUT**



Max Capacity with two and Three Hinges for Shower Doors



Description	Item No.	Two Hinges		Three Hinges	
		Max Capacity	Max Door Width	Max Capacity	Max Door Width
Standard Hinges	SSSFHW	45 kg (99 lb)	28" (711mm)	54 kg (119 lb)	32" (813mm)
	SSSFHWOFS				
	SSSFH180				
	SSSFH135				
	SSSFH90				
	SSSFHWH				
	SSSFHWSP				
	SSSFHCW				
	SSSFHC180				
	SSSFHC135				
	SSSFHC90				
	SSSFHFB180				
	SSSFHTB				
	SFHTBV				
				n/a	n/a
Heavy Duty Hinges	SSSFHWL	50 kg (110 lb)	36" (914mm)	63 kg (139 lb)	36" (914mm)
	SSSFHWOFSL				
	SSSFH180L				
	SSSFH135L				
	SSSFH90L				
	SSSFHWSPL				