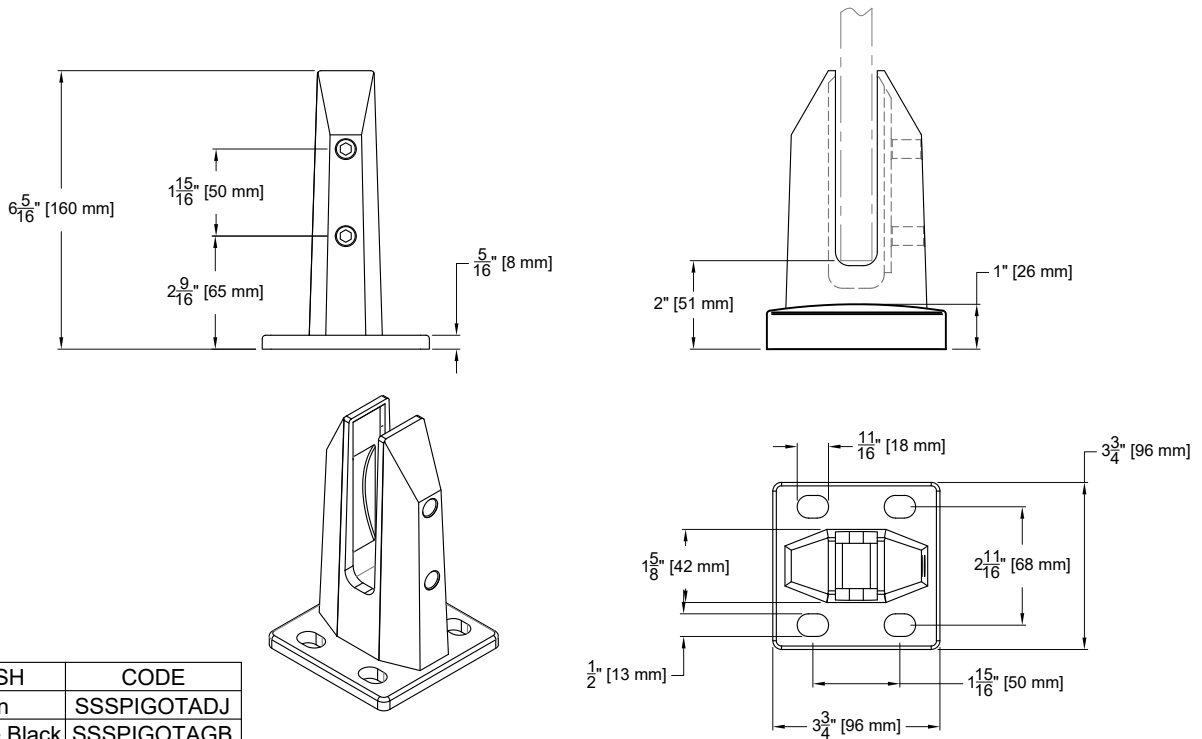


Tilt-Lock Spigot Top Mount



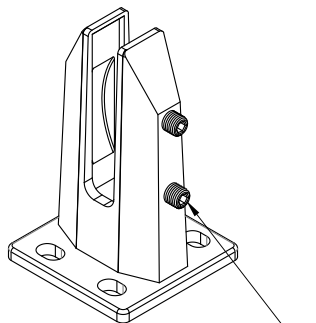
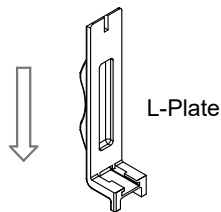
Dimensions



FINISH	CODE
Satin	SSSPIGOTADJ
Graphite Black	SSSPIGOTAGB
Matte Black	SSSPIGOTAMB

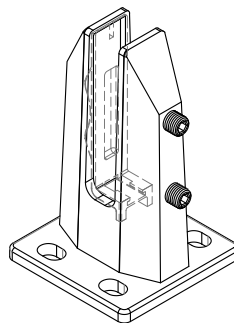
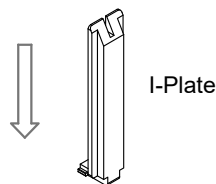
Gasket Installation

Step 1

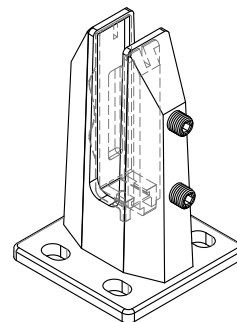
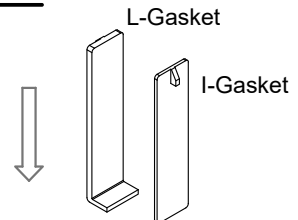


Set screws should be loose for gasket installation

Step 2



Step 3



Glass Size (mm)	Gasket Colour
12	Yellow + Red
12.76	Yellow + White
13.52-14.28	Green + Red
15	Green + White
16.76-17.52	Purple + White

Note: After installing the glass into the spigot slot, tighten the upper and the lower set screws to tilt the glass backward and forward respectively.